


TRUE ZERO TAIL SWING MINI EXCAVATOR

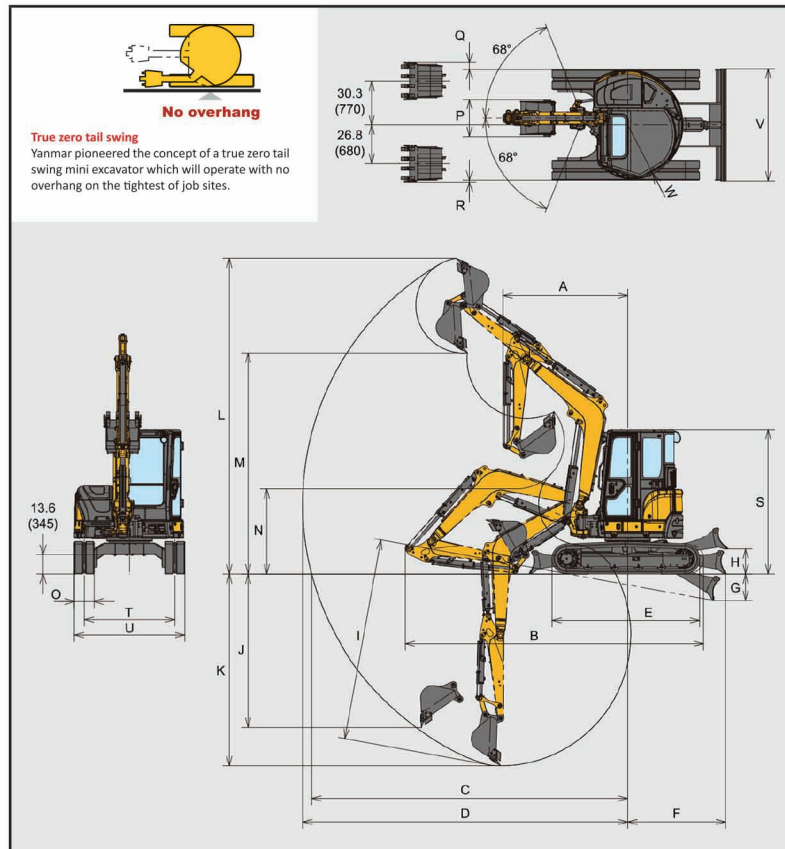
Vi045-6B



Specifications

Model			ViO45-6B			
Spec			Canopy		Cabin	
Type			Quick coupler	without Quick coupler	Quick coupler	without Quick coupler
Operating weight	Rubber track	lbs (kg)	10373 (4705)	10152 (4605)	10748 (4875)	10527 (4775)
	Steel track	lbs (kg)	10659 (4835)	10439 (4735)	11034 (5005)	10814 (4905)
Engine	Type	-	Vertical four cylinder water-cooled direct injection diesel engine			
	Model	-	YANMAR 4TNV88-ZPBV			
	Rated output	HP (kW) / rpm	37.7(28.1) / 2200 [Gross]			
Performance	Bucket capacity, standard	cu.ft (cu.m)	4.94 (0.14)			
	Bucket width, standard	in. (mm)	25.6 (650)			
	Max digging force, bucket	lbf (kN)	6497 (28.9)	8206 (36.5)	6497 (28.9)	8206 (36.5)
	Traveling speed, Rubber track	MPH (km/h)	2.9 (4.6) / 1.5 (2.4)			
	High / Low	Steel track MPH (km/h)	2.7 (4.3) / 1.3 (2.1)			
	Swing speed	rpm	10			
	Boom swing angle, (L / R)	degrees	68 / 68			
Ground contact pressure	Rubber track	PSI (kPa)	4.25 (29.3)	4.16 (28.7)	4.41 (30.4)	4.32 (29.8)
	Steel track	PSI (kPa)	4.42 (30.5)	4.34 (29.9)	4.58 (31.6)	4.50 (31.0)
Hydraulic system	Pump capacity	GPM (L / min)	11.2 (42.5) x 2 [Variable displacement pump] 9.8 (37.0) x 1, 2.9 (10.8) x 1 [Gear pump]			
	Main relief set pressure	PSI (MPa)	3553 (24.5) x 2	3133 (21.6) x 1	566 (3.9) x 1	
Fuel tank capacity		Gals (L)	17.4 (66)			
Hydraulic PTO						
Model			ViO45-6B			
Output			PSI (MPa)	GPM (L / min)		
Specification				2200RPM	1200RPM	
Combined flow, double actions 			3553 (24.5)	21.0 (79.5)	11.4 (43.3)	

TRUE ZERO TAIL SWING MINI EXCAVATOR



Dimensions Unit : mm (in)

ViO45-6B		
Canopy spec / Cabin spec		
	Quick coupler	without Quick coupler
A	2380 (93.7)	2190 (86.2)
	Swing 2120 (83.5)	Swing 1950 (76.8)
B	5320 (209.4)	5230 (205.9)
C	5740 (226.0)	5540 (218.1)
D	5890 (231.9)	5700 (224.4)
E	2590 (102.0)	
F	1890 (77.4)	1720 (67.7)
G	540 (21.3)	465 (18.3)
H	500 (19.7)	445 (17.5)
I	3740 (147.2)	3540 (139.4)
J	2380 (93.7)	2690 (105.9)
K	3550 (139.8)	3360 (132.3)
L	5700 (224.4)	5530 (217.7)
M	3680 (144.9)	3870 (152.4)
N	1340 (52.8)	1500 (59.1)
O	350 (13.8)	
P	650 (25.6)	
Q	125 (4.9)	
R	35 (1.4)	
S	2540 (100.0)	
T	1590 (62.6)	
U	1940 (76.4)	
V	1970 (77.6)	
W	970 (38.2)	