

Specialist in underground engineering equipment

Leading enterprise in comprehensive field of underground engineering

Supplier of complete underground engineering solutions



# SWDM60

## MULTIFUNCTIONAL ROTARY DRILLING RIG

- ◆ Max. Pile Diameter: 1000mm
- ◆ Operating Weight: 22t
- ◆ Rated Power: 93kW@2200rpm

### ▶ Performances and Features

- ◆ **High Flexibility and Excellent Efficiency**

Applicable for small holes and shallow piles, high rotation speed of rotary head and fast lifting of the main winch, ensures high construction efficiency; The short tail design is suitable to work in narrow areas.
- ◆ **Easy Transport**

The total weight for transport is 22 tons when Kelly is installed.
- ◆ **Outstanding Stability**

Laid with single layer in the condition of full drilling depth, the main winch steel rope has long service life; With the installation of main and auxiliary winch in the tri-pod, the structure is impact and the machine stability is high.
- ◆ **Intelligent Control**

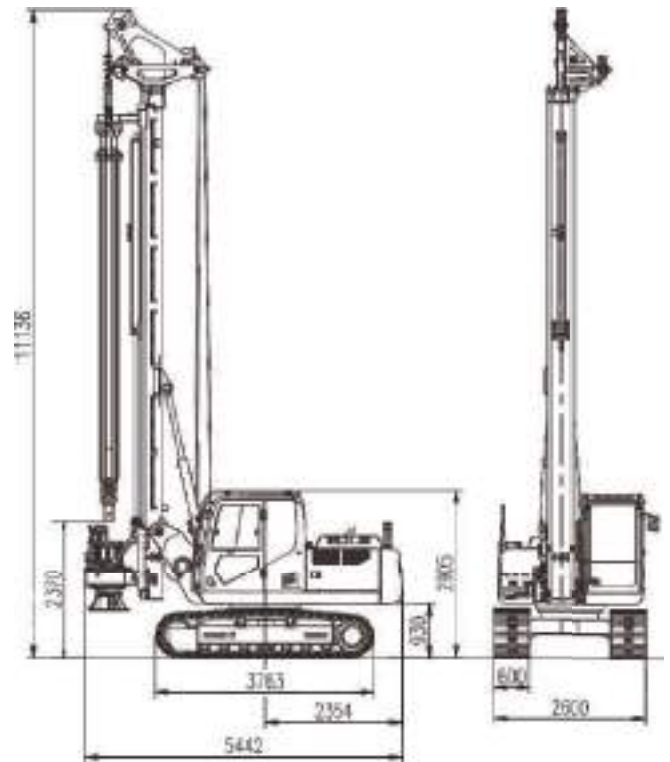
Alarms are sent out by the failure self-diagnosis system; the operation parameters are displayed in real-time; the solenoid handle controls automatic drilling; the drill mast is erected and lowered by one-key pressing, offering easier operation; Sunward Auspicious Cloud APP provides synchronous data transmission and real-time machine monitoring.



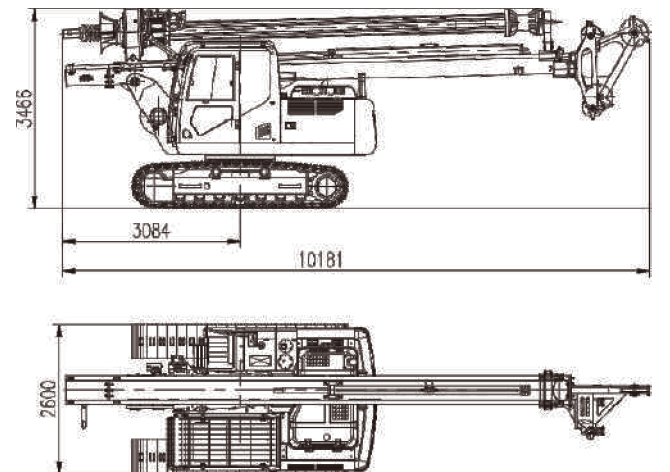
## ► Technical parameters

ITEM		UNIT	SWDM60
Drilling	Max. Pile Diameter	mm	1000
	Max. Pile Depth	m	21/16
Engine	Brand		Cummins
	Model		QSF3.8-C125
	Rated Power	kW@rpm	93@2200
Rotary Head	Max. Torque	kN.m	60
	Rotation Speed	rpm	8~35
	High-Speed Soil Throwing (optional)	rpm	70
Main Winch	Max. Line Pull	kN	80
	Max. Line Speed	m/min	72
	Rope Diameter	mm	20
Crowd System	Max. Pressure	kN	100
	Max. Line Pull	kN	120
	Max. Stroke	mm	3000
Auxiliary Winch	Max. Line Pull	kN	30
	Max. Line Speed	m/min	50
	Rope Diameter	mm	13
Drill Mast	Lateral Inclination	°	±3
	Forward & Rearward Inclination	°	5/90
Chassis	Crawler Width	mm	600
	Track Retraction and Extension Width	mm	2600
	Chassis Length	mm	3763
Overall Machine	Working Height	mm	11136
	Operating Weight	t	22

Working state (unit: mm)



Transportation status (unit: mm)



## ■ Drill pipe parameters

Model	Friction Kelly Bar	Hole depth (m)	Drill pipe weight (kg)	Configuration	Model	Interlocking Kelly Bar	Hole depth (m)	Drill pipe weight (kg)	Configuration
SWDM60	273-4X6m	21	2380	Standard	SWDM60	273-3X6m	16	2230	

※Drill pipes of other specifications can be customized.