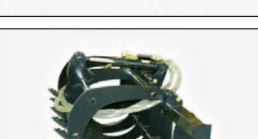


## HNT-M30 Attachments

Rock bucket		Item No.	Unit	RB72	RB84	
		Operating width	mm	1830	130	
		Fork distance	mm	76	76	
		Weight	kg	190	210	
		Length	mm	1350	1350	
		Width	mm	1830	2130	
		Height	mm	620	620	
Bale handler		Item	Unit	BH13		
		Bit length	mm	1300		
		Bit diameter	mm	50		
		Weight	kg	90		
		Length	mm	1310		
		Width	mm	1150		
		Height	mm	560		
bucket		Item No.	Unit	BU66	BU72	BU84
		Capacity	m <sup>3</sup>	0.4	0.5	0.6
		Length	mm	1676	1828	2133
		Width	mm	920	920	920
		Height	mm	660	660	660
		Weight	kg	380	410	450
		Operating pressure	MPa	16	16	16
Palle fork		Item No.	Unit	PF10	PF15	
		Loading capacity	kg	1000	1500	
		Length of fork	mm	770	1000	
		Length	mm	1150	1150	
		Width	mm	1010	1240	
		Height	mm	980	980	
		Weight	kg	150	180	
Utility fork		Item No.	Unit	UF72		
		Operating width	mm	1830		
		Fork distance	m	130		
		Weight	kg	190		
		Length	mm	1830		
		Width	mm	750		
		Height	mm	520		
Fork Grapple		Item No.	Unit	FG66	FG72	
		Operating width	mm	1680	1830	
		Operating height	mm	850	850	
		Operating length	mm	940	940	
		Weight	kg	190	210	
		Operating pressure	MPa	16	16	
Snow blade		Item No.	Unit	SB66	SB72	SB84
		Operating width	mm	1670	1830	2130
		Operating height	mm	790	790	790
		Operating length	mm	1080	1080	1080
		Weight	kg	320	350	380
		Swing angle	Deg.	±22	±22	±22
		Operating pressure	MPa	16	16	16

# SOCMA

## SOCMA POWER LIFT YOUR BUSINESS

# HNT-M30



- Moving Fast
- Using Durable
- Action Powerful
- Operation Sensitive

## M Metron

KEM Tower 15<sup>th</sup> Floor, Jl. Landasan Pacu Barat Blok B10 Kav. 2, Kota Baru Bandar Kemayoran, Jakarta Pusat 10610  
Phone: +62 21 6570 4111 (Hunting) | Fax: +62 21 6570 4110 | Email: info@metronintercon.com

Jakarta | Surabaya | Medan | Pekanbaru | Padang | Jambi | Lampung | Palembang | Balikpapan | Banjarmasin | Pontianak |  
Sampit | Samarinda | Tarakan | Ketapang | Makassar | Manado | Kendari



SOCMA has passed ISO9001 quality system certification

# HNT-M30 Features

1 This equipment is designed for many functions that normal standard forklift can not complete. It can greatly save the cost and work space ,it is high efficient.

2 Cab: Standard equipped with three-sided glass enclosed, safe and comfortable; a fully enclosed cab is optional; a visible sunroof provides a wider operating field of view; the cab can be turned over to quickly overhaul all main components.

3 Pilot control( stable and lighter); more comfortable for the driver.

5 The carriage can be tilted at a large angle, and the goods can be loaded and discharged quickly, easily and safely. Compatible with various specific accessories and high flexibility. Able to work in various working surroundings.

6 Tires: standard pneumatic tires; solid tires, honeycomb tires, etc. are optional

7 Transmission: equipped electronic-hydraulic control gear control system can achieve the quick soft-engagement control shift function, shift becomes simple, convenient, stable start, and greatly reduced the driver intensity of the operation improves the work efficiency of the whole vehicle.

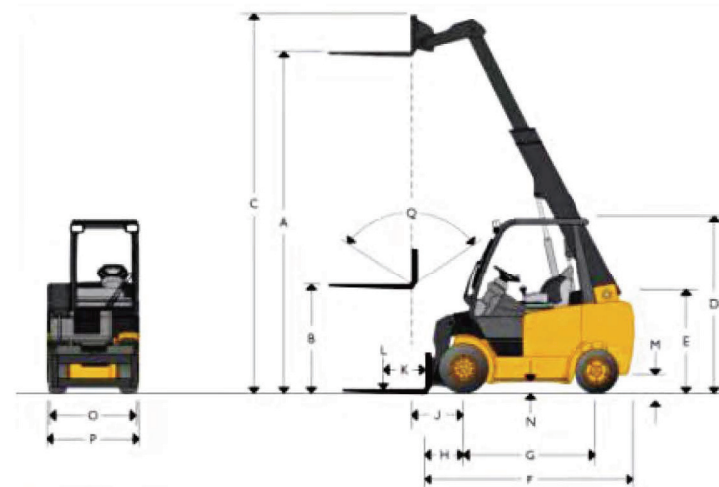
8 Optimize the design of heat dissipation channels to effectively improve the thermal balance performance.

9 The whole truck LED lights include the warning lights.

4 Strengthened boom together with high-quality lifting cylinders to achieve rapidly stretch out and draw back.



# HNT-M30 Parameter



Max.lifting height	A=4000
Free lifting height	B=2000
Max height	C=4600
Height to head guard	D=2200
Operator seat height	E=1100
Overall length(without fork)	F=2930
Wheel base	G=1850
Front wheel distance	H=540

Rear wheel distance	J=400
Load center	K=500
Rated load(with side shift)	L=500
Minimum ground clearance	M=190
Minimum ground clearance at wheelbase center	N=190
Carriage width	O=1300
Total width	P=1300
Carriage Tilt angle front/backward	-13/+42

No.	Description	Unit	3T/2.5T	备注 Remark	
1	Rated Load	kg	3000/2500		
2	Length	WO/Forks	mm	2920	
		W/Forks	mm	4000	
3	Width	Frame Width	mm	1300	
4	Height	Height to head guard(height to cab)	mm	2170	
		Max height	mm	4600	
5	Axle Distance	mm	1850		
6	Front Overhang Distance	mm	570		
7	Front Wheel Distance	mm	990		
8	Rear Wheel Distance	mm	990		
9	Ground Clearance	Under Mast	mm	130	
		Under Wheelbase	mm	160	
10	Max. Lifting Height	mm	4000		
11	Free Lifting Height	mm	3800		
12	Max. horizontal reach	mm	2090		
13	Operation Weight	kg	4500/4350		
14	Min. Turning Radius	mm	2800		
15	Max. Travelling Speed WO/load	km/h	20		
16	Max. Travelling Speed Full Loaded	km/h	20		
17	Load Center	mm	500		
18	Engine	—	4D27G31	Xinchai	